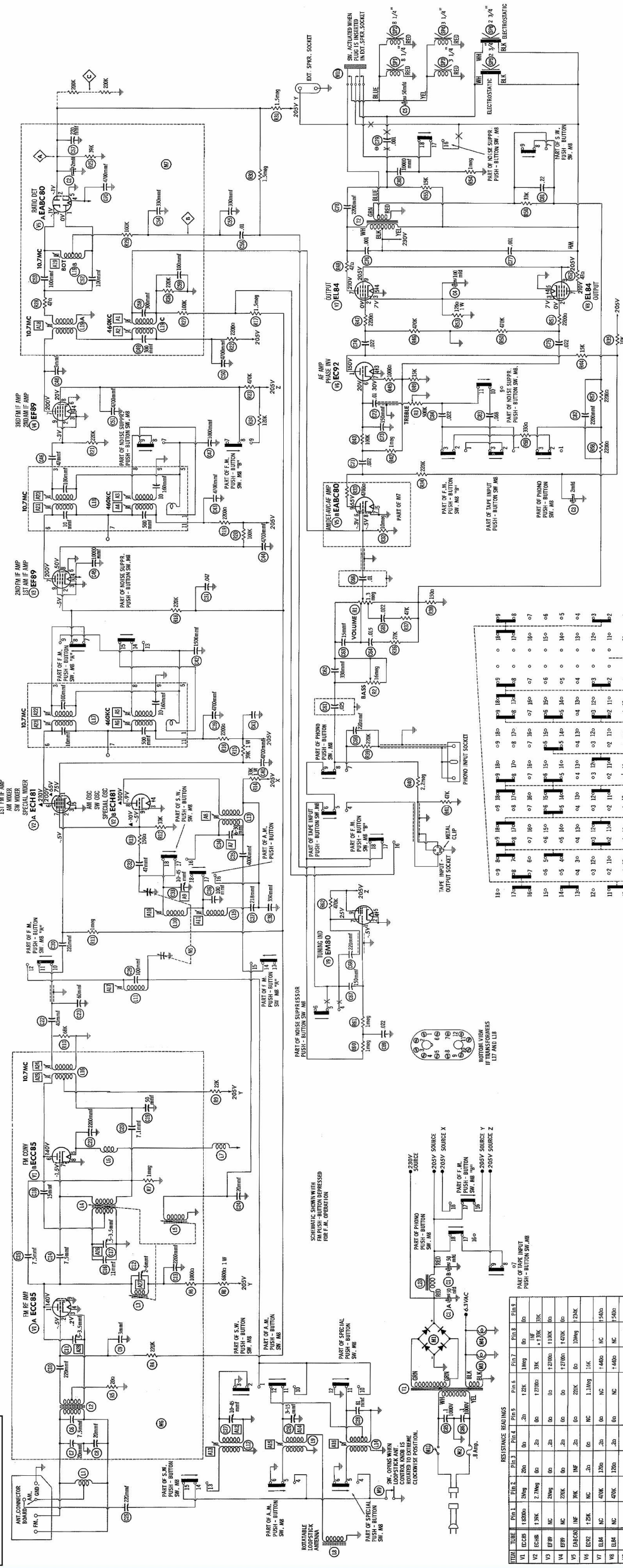


TELEFUNKEN OPUS 6



RESISTANCE READINGS

TUBE	Pin. 1	Pin. 2	Pin. 3	Pin. 4	Pin. 5	Pin. 6	Pin. 7	Pin. 8	Pin. 9
V1 ECC85	1800Ω	20Ω	20Ω	12K	1MΩ	0Ω	0Ω	0Ω	0Ω
V2 ECC81	1.9K	2.7MΩ	0Ω	2.7MΩ	3K	1.3K	33K	0Ω	0Ω
V3 EF89	NC	20Ω	0Ω	0Ω	1270Ω	110K	0Ω	0Ω	0Ω
V4 EF89	NC	20Ω	0Ω	0Ω	0Ω	1270Ω	1470K	0Ω	0Ω
V5 EABCB80	1K	20Ω	0Ω	0Ω	20K	0Ω	10MΩ	23K	0Ω
V6 EC92	1.2K	0Ω	0Ω	0Ω	1.1MΩ	1K	0Ω	0Ω	0Ω
V7 EL84	NC	47K	120Ω	0Ω	NC	140Ω	NC	140Ω	NC
V8 EL84	NC	47K	120Ω	0Ω	NC	140Ω	NC	140Ω	NC
V9 EN80	2.8MΩ	0Ω	0Ω	0Ω	0Ω	0Ω	1470K	NC	140Ω

ALL MEASUREMENTS TAKEN IN "FM" POSITION UNLESS OTHERWISE DESIGNATED.
 * MEASURED FROM OUTPUT OF FIL.
 1. DC voltage measurements taken with vacuum tube voltmeter.
 2. Socket connections are shown as bottom view.
 3. Values in parentheses are maximum values.
 4. Values in brackets are minimum values.
 5. Values in italics are maximum values.
 6. Values in boldface are maximum values.
 7. Values in normal face are maximum values.
 8. Values in normal face are maximum values.
 9. Values in normal face are maximum values.

